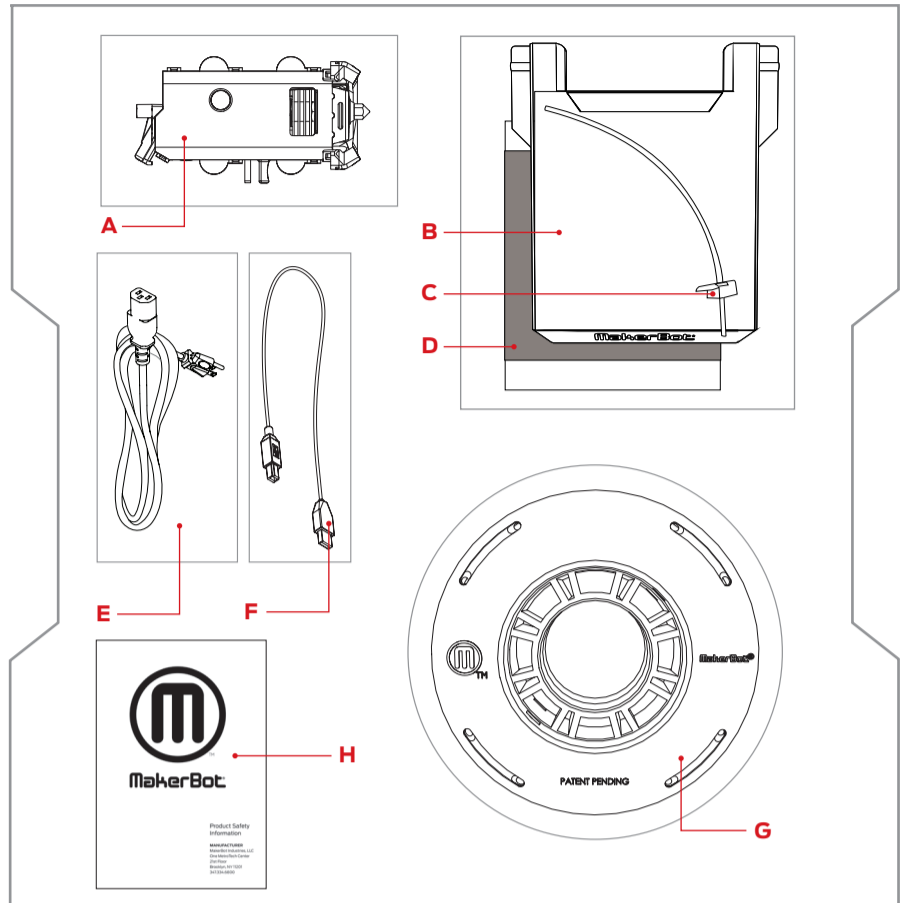




GETTING STARTED

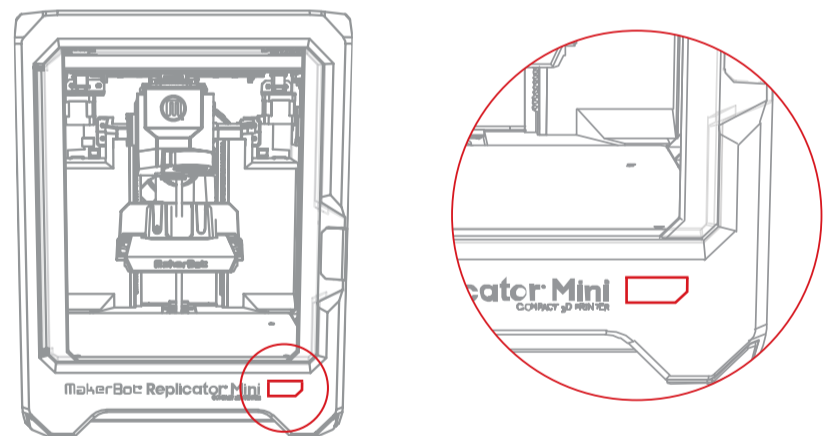
Welcome to the Quick Start Guide for the MakerBot® Replicator® Mini Compact 3D Printer. Let's get you printing!

THE ACCESSORY KIT



- A** SMART EXTRUDER
- B** BUILD PLATE
- C** FILAMENT GUIDE TUBE
- D** BUILD PLATE TAPE x 5
- E** POWER CORD
- F** USB A-TO-B CABLE
- G** SMALL SPOOL OF MAKERBOT PLA FILAMENT
- H** SAFETY BOOKLET

ACTION BUTTON COLOR GUIDE



The button on the front of the MakerBot Replicator Mini will glow and blink in different colors to indicate the state of your 3D printer.

- White**
The MakerBot Replicator Mini is standing by and is ready to receive instructions.
- Blinking White**
The MakerBot Replicator Mini is starting up.
- Blue**
The current print is paused. Press the Action Button to resume printing.
- Blinking Blue**
The MakerBot Replicator Mini is waiting for you to confirm an action initiated by MakerBot Desktop, such as starting a print. Press the Action Button to confirm the action.
- Red**
 - The MakerBot Replicator Mini is heating the Smart Extruder.
 - The MakerBot Replicator Mini is printing an object.
 - The Smart Extruder is too hot to safely handle.
- Blinking Red**
The MakerBot Replicator Mini has encountered an error, such as running out of filament. MakerBot Desktop will let you know what's wrong and what to do about it.

More Information

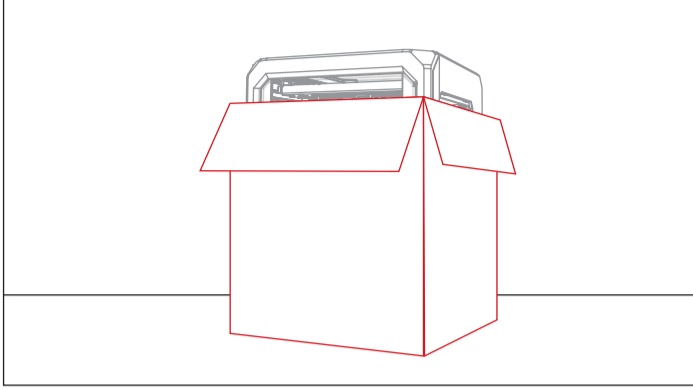
For more in-depth information on setting up and using your MakerBot® Replicator® Mini Compact 3D Printer, download the full MakerBot Replicator User Manual online. Available languages include English, French, German and Spanish.

eu.makerbot.com/en/support/manuals

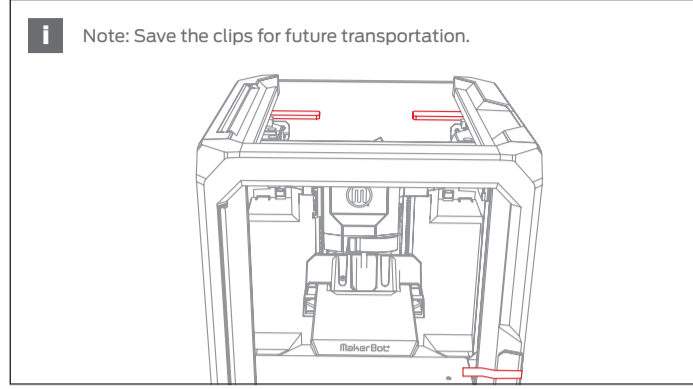
Visit our Support page for more advanced information on the MakerBot Replicator and MakerBot® Desktop.

eu.makerbot.com/en/support

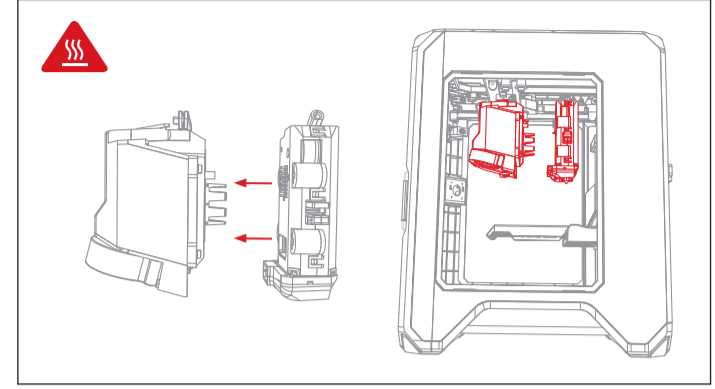
1. LIFT OUT THE MAKERBOT REPLICATOR MINI



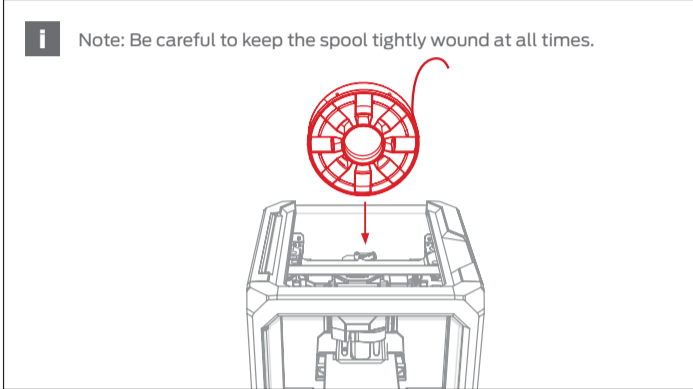
2. REMOVE PACKAGING MATERIALS



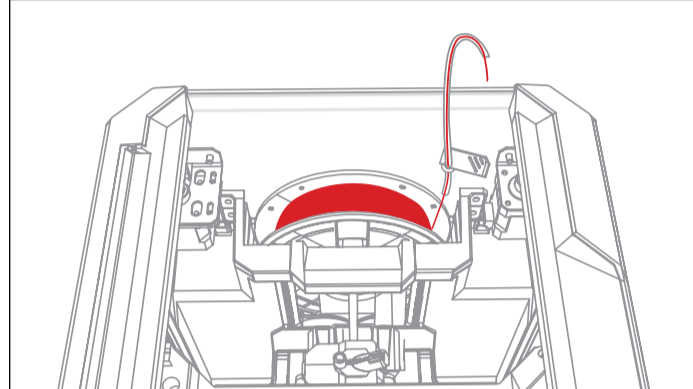
3. INSTALL SMART EXTRUDER



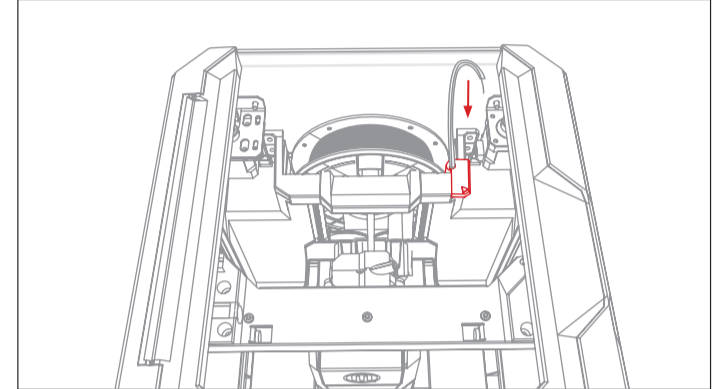
4. INSTALL FILAMENT SPOOL



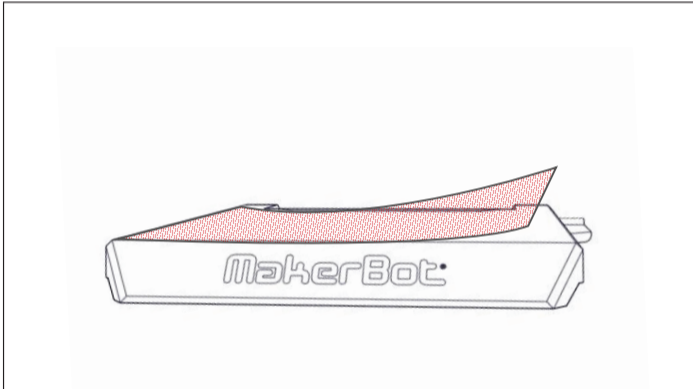
5. ROUTE FILAMENT INTO GUIDE TUBE



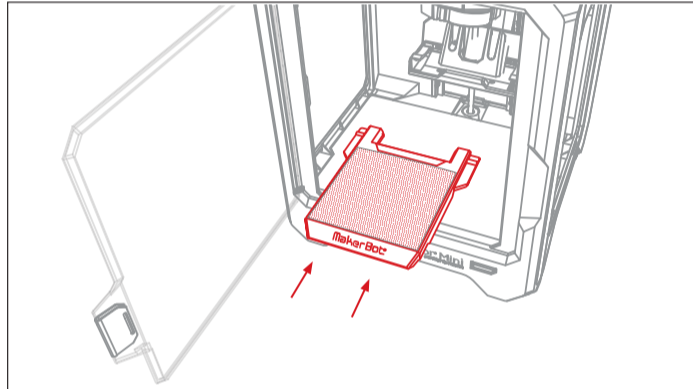
6. ATTACH GUIDE TUBE



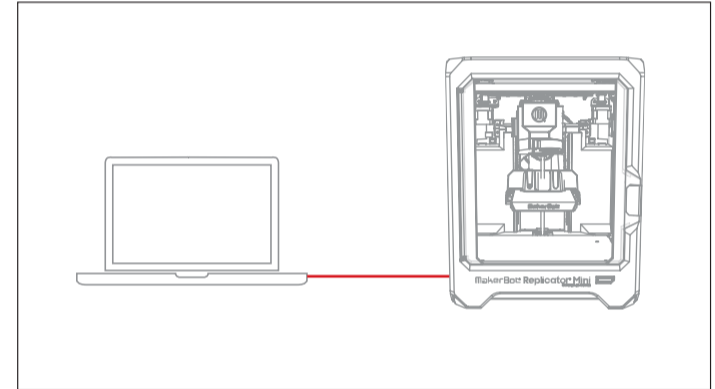
7. APPLY BUILD PLATE TAPE



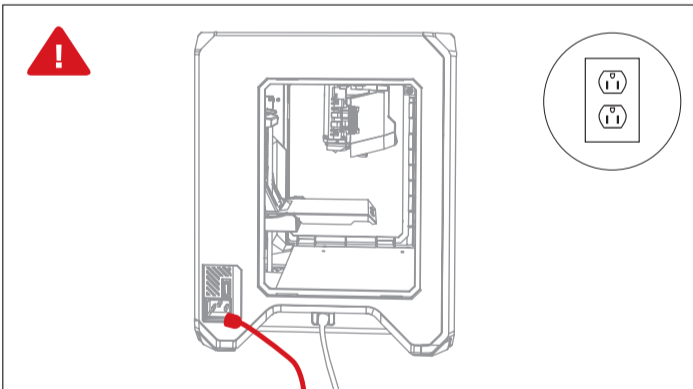
8. INSTALL BUILD PLATE



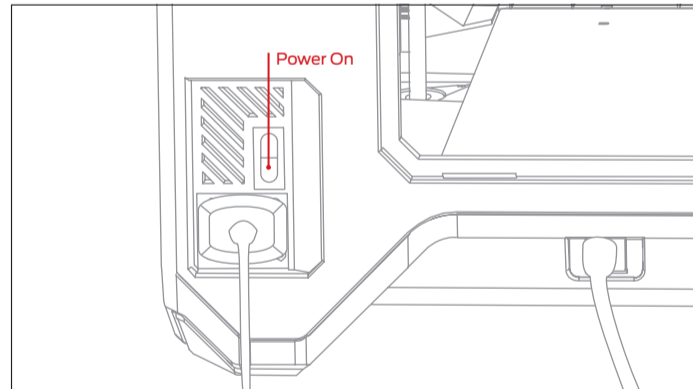
9. CONNECT TO YOUR COMPUTER VIA USB CABLE



10. PLUG IN



11. POWER ON



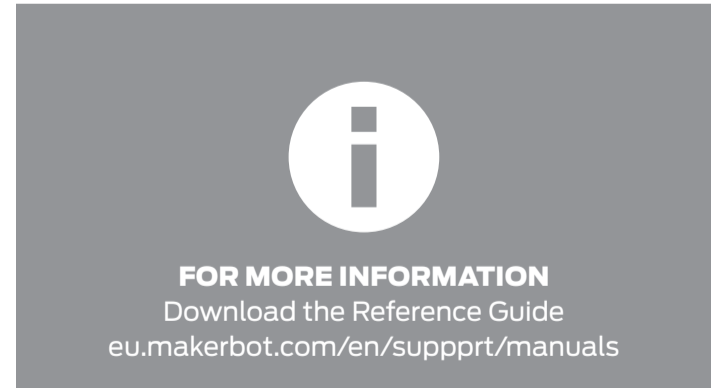
12. DOWNLOAD MAKERBOT DESKTOP



13. INSTALL AND OPEN MAKERBOT DESKTOP



14. FOLLOW THE SETUP ASSISTANT



NOTES AND WARNINGS

Warning: Use caution when handling the Smart Extruder. Never remove the MakerBot® Replicator® Smart Extruder during or immediately after printing.

Caution: The socket outlet must be located near the equipment and must be easily accessible.